

MyCube
Single lever bath mixer for concealed installation
 Surfaces: **Chrome** Article Number: **71245000**



Description

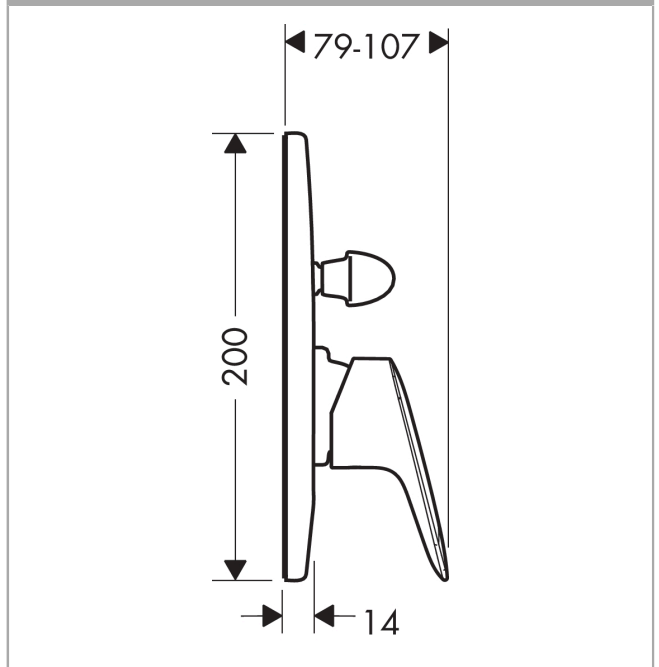
product features

- projection 108 mm
- connection type: basic set
- ceramic cartridge
- temperature limitation adjustable
- non-return valve
- suitable for continuous flow water heaters
- ACS 15 ACC LY 577, valide jusqu'au 18.01.2021
- ACS 15 ACC LY 577, valide jusqu'au 18.01.2021
- WRAS 1904068

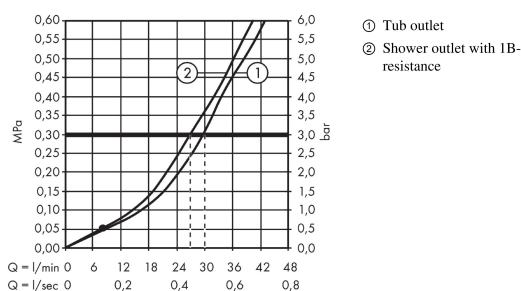
Product image



Scale drawing



Flowchart

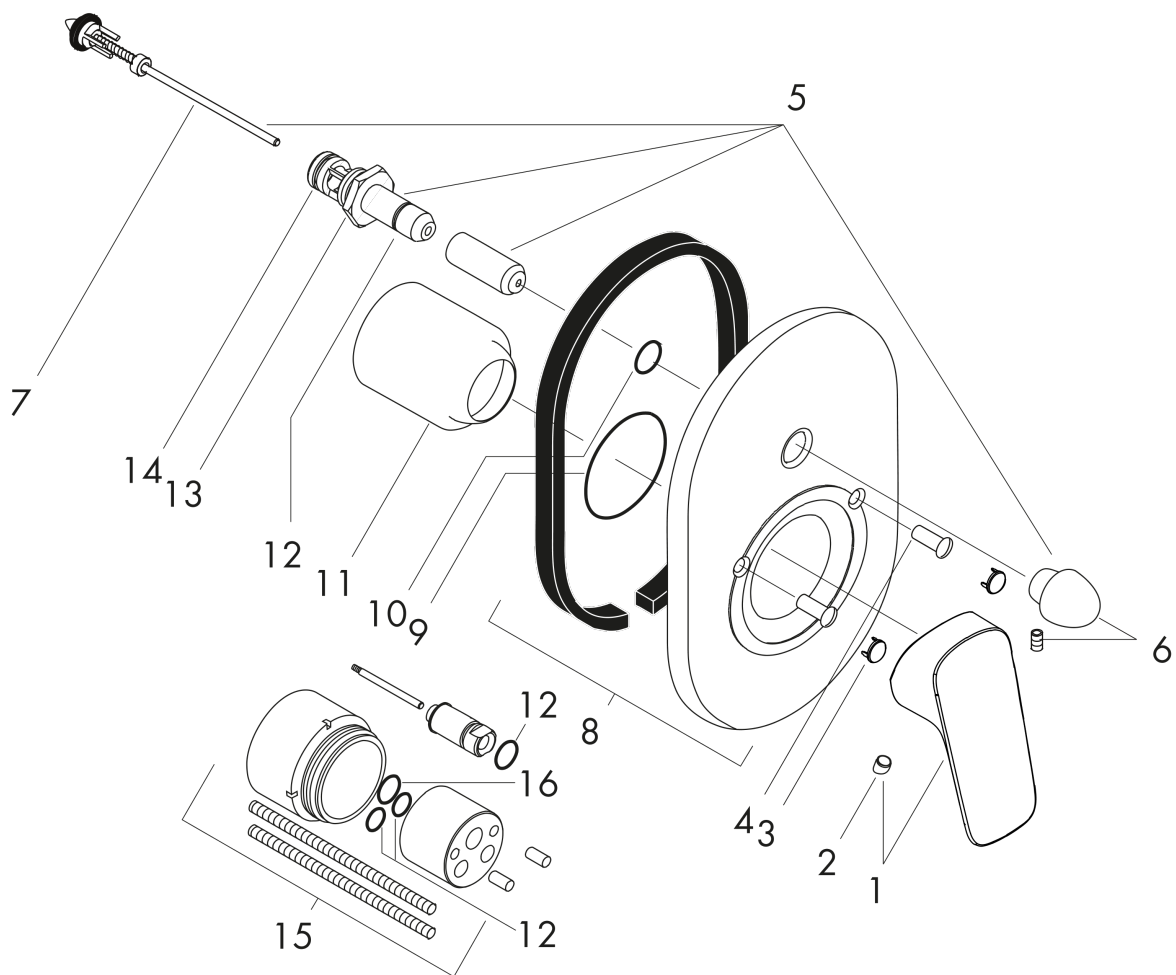


MyCube
Single lever bath mixer for concealed installation
 Surfaces: **Chrome** Article Number: **71245000**



Exploded Drawing

Year of production: >05/15



MyCube

Single lever bath mixer for concealed installation

Surfaces: **Chrome** Article Number: **71245000**



Spare part list

Year of production: >05/15

Pos.	Description	Article Number	PC	PU
1	handle	92224000	10	1
2	screw cover	96338000	1	1
3	cover cap	95433000	2	1
4	hollow screw	96065000	2	1
5	diverter assy with sleeve and handle	95015000	14	1
6	diverter knob cpl.	95013000	5	1
7	selector assy	96937000	6	1
8	escutcheon bath/shower mixer	95011000	10	1
9	O-Ring 48x3	95508000	1	1
10	O-ring 14x3	98130000	1	1
11	flange	96348000	4	1
12	O-ring 10x1,5	98123000	1	1
13	O-ring 16x2,5	98134000	1	1
14	O-ring 13x2	98128000	1	1
15	extension set 28 mm tub mixer	32498000	16	1
16	O-ring 12x1,5	98430000	1	1
a	concealed item	31741180	99	1